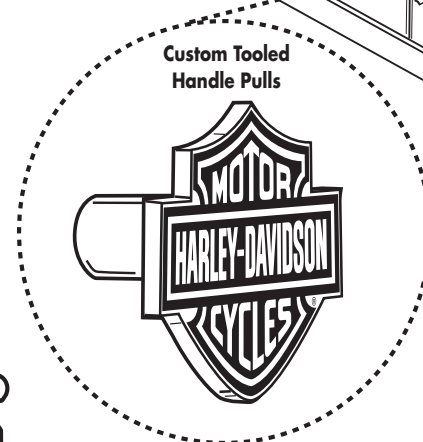
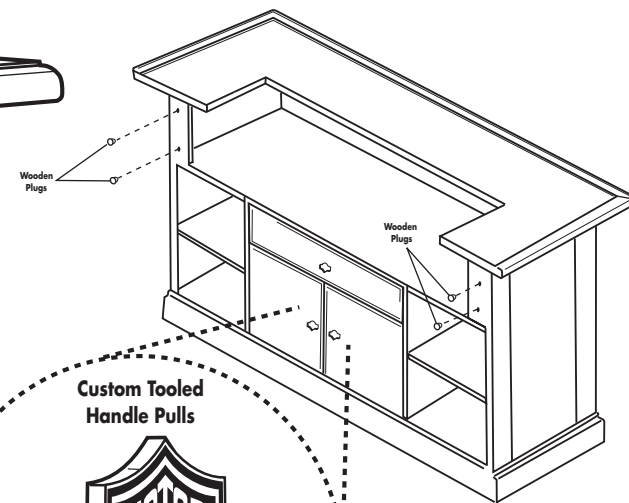
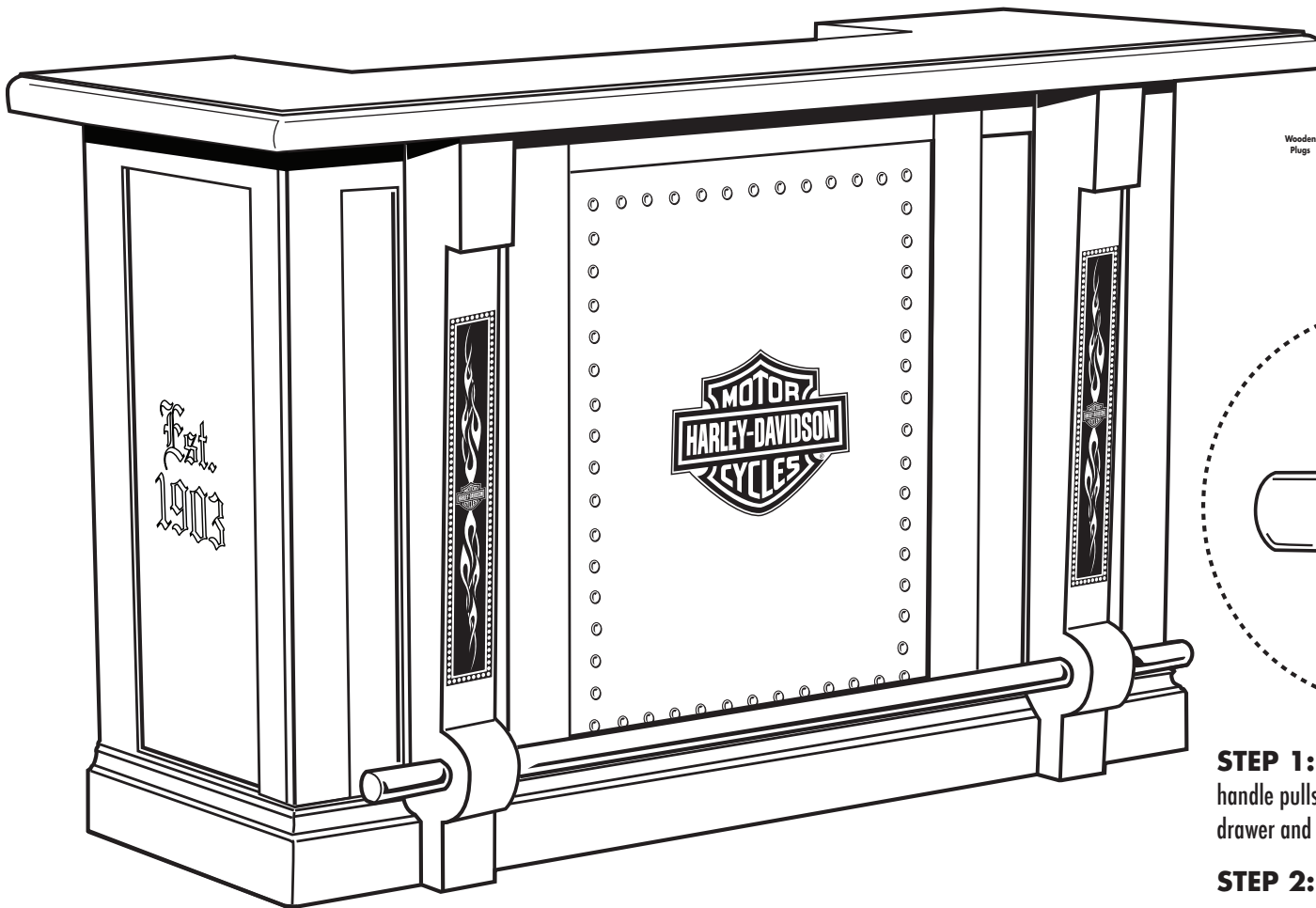




# Bar & Shield Flames Bar Assembly Instructions

Congratulations on your purchase of a H-D® Bar & Shield Flames Bar. The utmost care has gone into the design and manufacturing of this product. Please read these instructions carefully.



**BACK VIEW**

**STEP 1:** Open the cabinet drawer & doors to access the customize handle pulls. Remove all handle pulls and reinstall to the front of drawer and doors.

**STEP 2:** Relax and enjoy!

## WARRANTY:

Free replacement of any part that fails within one year from day of manufacture, excluding shipping costs. Void if damaged by misuse, accidents, alterations, failure to follow instructions, fire, flood, and acts of God.

If you have any questions or comments, please contact us at: [BrandedProducts.com](http://BrandedProducts.com)



Ace Product Management Group, Inc. Milwaukee, WI U.S.A.  
Manufactured under license from Harley-Davidson Motor Co.  
© 2008 All Rights Reserved.

Ace Product Management Group, Inc.  
Milwaukee, WI U.S.A.